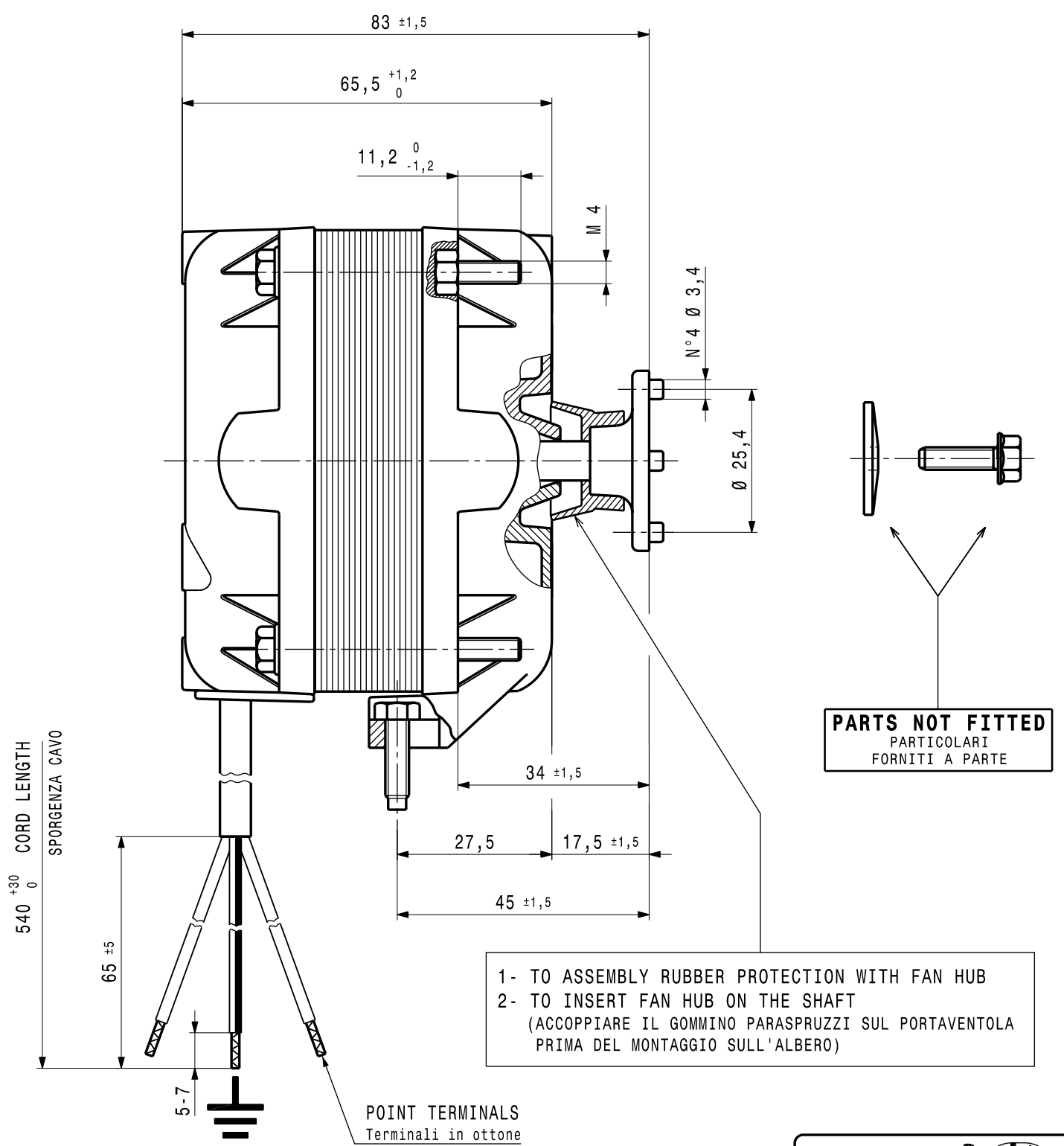
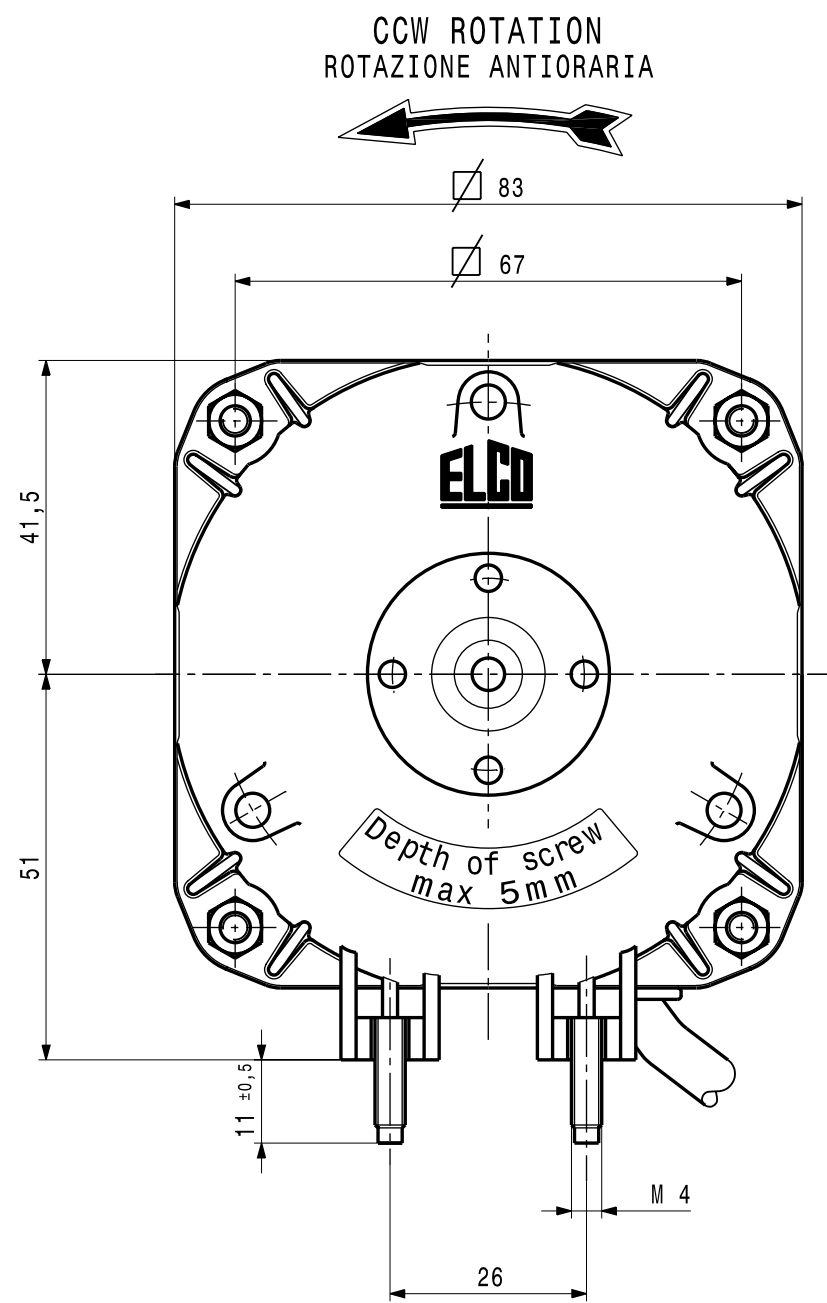


DRAWING MADE BY  
**CAD**  
HAND MADE MODIFICATIONS ARE FORBIDDEN



1- TO ASSEMBLY RUBBER PROTECTION WITH FAN HUB  
2- TO INSERT FAN HUB ON THE SHAFT  
(ACCOPIARE IL GOMMINO PARASPRUZZI SUL PORTAVENTOLA PRIMA DEL MONTAGGIO SULL'ALBERO)

**MOTOR WITH HIGH TEMPERATURE LUBRICATION SYSTEM -40°C/+150°C**  
( MOTORE CON SISTEMA DI LUBRIFICAZIONE PER UTILIZZO AD ALTE TEMPERATURE )

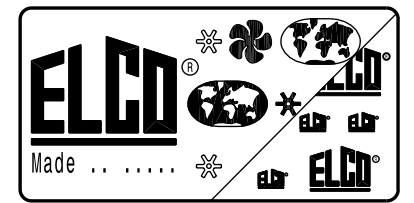
- ALUMINIUM END-SHIELDS (COPERCHI IN ALLUMINIO)

-ASSEMBLY NOTE :RULE EL.UN.0002  
-MECHANICAL CHECK :RULE EL.CM. 001  
-LABEL LOCATION :RULE EL.UN.0053  
-ELECTRICAL CHECK: M.1537

Customer Code: 682718901

VN 10-20 /1837 DATA  
230V ~ 50/60Hz 0,23A  
10/38W 1300/1550Rpm  
PROT.IMP. CL.B

VDE CE  
REG.-N° 4648  
NET3T10ZVN036



Rel	Date	Description	Executer signature	Checked
A	18-01-10	Updating due to VDE Certification (old 230/240V - new 230V)	S.Mapelli	T.Sirtori
<b>MODIFICATIONS</b>				

For dim. without tolerance see standard UNI EN 22768-mK	Treatment .	A3	Release <b>A</b>
Material .	Weight .	R.S.0134/09	
<b>ELCO</b>	Drawn M.Cazzaniga	MOTOR VN 10-20 /1837	Ref.No NET3T10ZVN001
	Date 29/09/09	230V ~ 50/60Hz	
Check T.Sirtori	Scale ---	'VDE' RULES	<b>NET3T10ZVN036</b>